
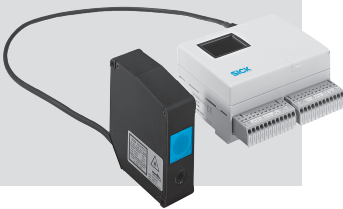
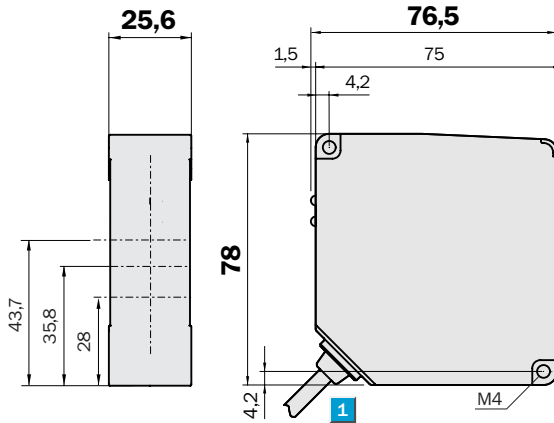


Displacement Sensor OD Max Transparent, sensor head

	Measurement range 25 ± 1 mm
Displacement-Sensor	

- Laser Technology
- Measurement of transparent materials
- High measurement accuracy
- High-End-System: 1 or 2 sensor heads per amplifier unit
- 4 analogue outputs and 5 switching outputs
- RS 232C interface

Dimensional drawing
OD25-01T1

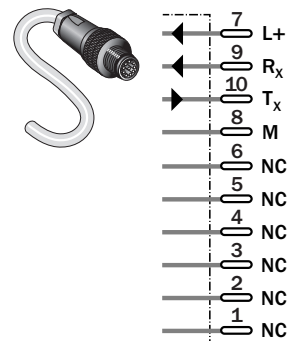


- 1 Cable Ø 5 mm/0.5 m with 10-pin connector
- 2 Distance indicator LED
- 3 Laser on LED

Adjustments possible
OD25-01T1

Displacement Sensor	
<input type="radio"/> DISTANCE	2
<input type="radio"/> LASER ON	3

Connection types
OD25-01T1 10 pin

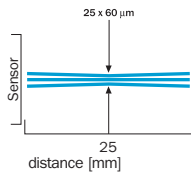


Accessories
Connectors

Technical Data		OD	25-01T1										
Light source	Red laser diode 1 (II) ¹⁾												
Measuring range	25 ± 1 mm												
Resolution ²⁾	0.1 µm												
Reproducibility ³⁾	0.3 µm												
Accuracy ⁴⁾	± 2 µm												
Temperature drift	±0.05 % FS ⁵⁾ /°C												
Measuring frequency	10 kHz												
Supply voltage V_s	Supplied from the amplifier unit												
Enclosure rating	IP 67												
VDE protection class	III												
Ambient temperature	Operation -10 °C ... +45 °C ⁶⁾ Storage -20 °C ... +60 °C												
Ambient light limit	max. 3,000 lx (fluorescent light) max. 10,000 lx (sun light)												
Vibration resistance	10/s ... 55/s ⁷⁾												
Shock resistance	50 G (500 m/s ²)												
Weight	250 g (incl. 50 cm cable)												
Material	Sensor head housing Diecast aluminium												
Connection Type	0.5 m pig tail with connector ⁸⁾												

- ¹⁾ Wavelength 650 nm, max. output 390 µW
- ²⁾ Averaging; 256 measurement; Object: 90% remission; Distance: middle distance
- ³⁾ With constant environmental conditions; Averaging: 256 measurements; Object: 90% remission
- ⁴⁾ On Glass; Parallel alignment of the active sensor surface to the object surface; Equivalent ± 0.1 % of Full Scale
- ⁵⁾ Full Scale : OD25-01T1 = 2 mm
- ⁶⁾ Non-condensing
- ⁷⁾ Double amplitude 1.5 mm, 2 h for XYZ axes
- ⁸⁾ Extendable by max. 10 m

OD25-01T1: Lightspot diameter



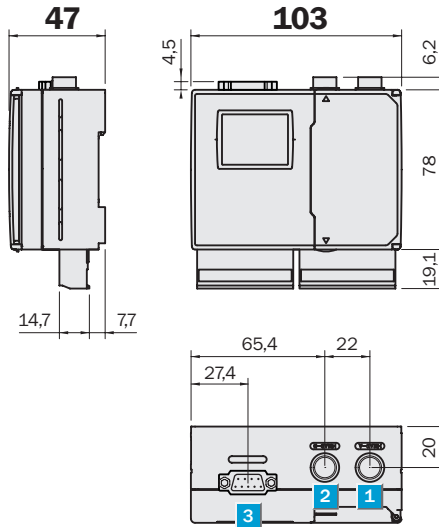
Order information	
Type	Order no.
OD25-01T1	6030977

Measurement range
 $25 \pm 1 \text{ mm}$

Displacement Sensor

- Laser Technology
- Measurement of transparent materials
- High Measurement
- High-End-System: 1 or 2 sensor heads per amplifier unit
- 4 analogue outputs and 5 switching outputs
- RS 232C interface

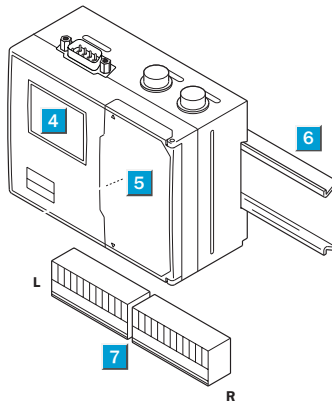
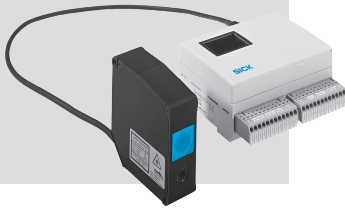
Dimensional drawing



Adjustments possible

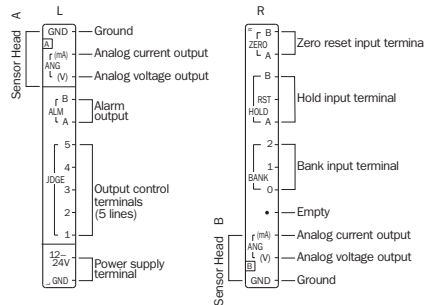
- AODG-P1
- AODG-N1

- 1 Sensor head A connection port
- 2 Sensor head B connection port
- 3 RS 232C interface
- 4 LCD display
- 5 Operation panel
- 6 DIN rail
- 7 Terminal board (detachable)

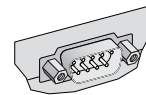


Connection terminal board

- AODG-P1
- AODG-N1



Connector pinning RS232C



Male connector, 9-pin

- 1 DCD – Data Carrier Detect
- 2 RXD – Receive Data
- 3 TXD – Transmit Data
- 4 DTR – Data Terminal Ready
- 5 SG – Signal Ground
- 6 DSR – Data Set Ready
- 7 RTS – Request to Send
- 8 CTS – Clear to Send
- 9 RI – (Ring Indicator)

Accessories

Connectors

Technical Data		AODG-	P1	N1									
Response time ¹⁾	0,5 ms												
Output rate	10 kHz												
In- and outputs	PNP												
	NPN												
Outputs													
2 analogue voltage outputs ²⁾	-5 ... + 5 V ³⁾												
2 analogue current outputs ²⁾	4 ... 20 mA ⁴⁾												
5 switching outputs ⁵⁾	max. 100 mA/ 30 V DC ⁶⁾												
2 alarm outputs	To indicate failed measurements												
Data interface	RS 232C												
Inputs													
3 bank inputs	External memory bank selection												
3 hold inputs	Holding the measurement/Laser off												
2 zero reset inputs	To reference the measurement												
Display type	LCD colour display												
Additional features	Arithmetical calculations												
	Averaging functions												
	Frequency filters												
	Autom./manual sensitivity setting												
	Timer functions												
	8 memory banks												
	Hold functions												
Supply voltage V_s	12 ... 24 V DC -5%, + 10%												
Power consumption ⁷⁾	6 W												
Enclosure rating	IP 20												
VDE protection class	III												
Ambient temperature	Operation -10 °C ... +45 °C ⁸⁾												
	Storage -20 °C ... +60 °C												
Vibration resistance	10/s ... 55/s ⁹⁾												
Shock resistance	20 G (196 m/s ²)												
Weight	240 g (incl. terminal board)												
Material	Housing	Polycarbonate											
	Terminal board	Nylon 66											
Connection type	Terminal board												

¹⁾ Without averaging and manually selected sensitivity
²⁾ 1 for each sensor head, or 1 for the calculation result

³⁾ Output impedance max. 1 kΩ, Resolution 1 mV
⁴⁾ Output impedance max. 300, Resolution 1.5 µA

⁵⁾ For the calculation result
⁶⁾ Residual voltage max. 1.8 V
⁷⁾ When connected with 2 sensor heads. Including analogue current output.

⁸⁾ Non condensing
⁹⁾ Double amplitude 1.5 mm, 2 h for XYZ axes

Order information	
Amplifier unit OD Max	
Type	Order no.
AODG-P1	6030978
AODG-N1	6030979

Accessories, extension cable		
Type	Order no.	Cable length
DSL-1210-G02M	6028943	2 m
DSL-1210-G05M	6028944	5 m